

# Resistance Weld Thru-Hole Crystal



Model: HC49SLF

RoHS Compliant / Pb Free

Rev. 3/30/2015

Page 1 of 2

[http://www.foxonline.com/need\\_a\\_sample.htm](http://www.foxonline.com/need_a_sample.htm)

Need a  
Sample®

## FEATURES

- Low Cost
- Stocking Standard (see page 2)
- Fundamental to 40 MHz
- Resistance Weld

## OPTIONS

- Tolerances to 10 PPM
- Stabilities to 5 PPM
- Temperatures to -55°C ~ +125°C
- 2.5mm Height Max (HC49SSLF)

## • PART NUMBER

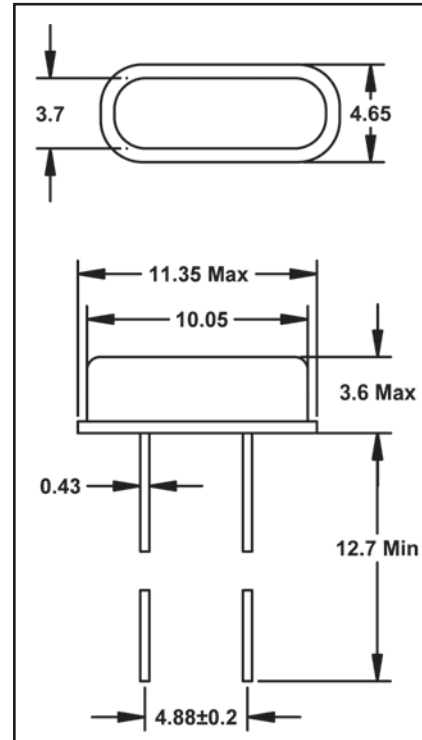
Part Number	Model Number	Frequency Range (MHz)
277LF-Frequency-xxxxx	HC49SLF	3.200 ~ 80.000

## • STANDARD SPECIFICATIONS<sup>1</sup>

PARAMETERS	MAX (unless otherwise noted)
Frequency Range	3.200 ~ 80.000 MHz
Frequency Tolerance @ 25°C	±50 PPM <sup>1,3</sup>
Frequency Stability, ref @ 25°C	±50 PPM <sup>1</sup>
Temperature Range	
Operating (TOPR)	-20°C ~ +70°C <sup>2</sup>
Storage (TSTG)	-40°C ~ +125°C
Shunt Capacitance (Co)	7pF
Load Capacitance (CL)	10 pF ~ Series (Customer Specified)
Drive Level	0.5 mW (0.1 mW Typical)
Aging per year	±3 PPM
Maximum Soldering Temp / Time	260°C / 10 Seconds
Moisture Sensitivity Level (MSL)	1
Termination Finish:	Sn/Ag/Cu

<sup>1</sup> Other tolerances, stabilities available. Consult Fox Customer Service for specific requirements.  
<sup>2</sup> Operating temperature ranges to -55°C ~ +125°C available.  
<sup>3</sup> Crystal has a ±30ppm tolerance specification for all standard part numbers. These part numbers are listed on page 2 of this datasheet.

Note: Dimensional drawing is for reference to critical specifications defined by size measurements. Certain non-critical visual attributes, such as side castellations, etc. may vary. All specifications subject to change without notice.



All dimensions are in millimeters.

**TERMINATION FINISH: Sn/3.0Ag/0.5Cu**

Frequency Range (MHz)	Operating Mode	Max ESR Ω
3.200 ~ 3.500	Fundamental	300
3.500+ ~ 4.000	Fundamental	200
4.000+ ~ 5.000	Fundamental	150
5.000+ ~ 6.000	Fundamental	120
6.000+ ~ 7.000	Fundamental	100
7.000+ ~ 9.000	Fundamental	80
9.000+ ~ 13.000	Fundamental	60
13.000+ ~ 20.000	Fundamental	40
20.000+ ~ 40.000	Fundamental	30
27.000 ~ 70.000	3rd OT	100
70.000+ ~ 80.000	3rd OT	80

# Resistance Weld Thru-Hole Crystal



Model: HC49SLF

RoHS Compliant / Pb Free

Rev. 3/30/2015

Page 2 of 2

[http://www.foxonline.com/need\\_a\\_sample.htm](http://www.foxonline.com/need_a_sample.htm)



*All specifications subject to change without notice.*

• HC49SLF Standard Crystals					
Part Number	Frequency	Tolerance	Stability	Temp Range	CL
FOXSLF/036S	3.579545	± 30 ppm	± 50 ppm	-20 to +70 C	18pF
FOXSLF/0368S	3.686400	± 30 ppm	± 50 ppm	-20 to +70 C	Series
FOXSLF/0368-20	3.686400	± 30 ppm	± 50 ppm	-20 to +70 C	20pF
FOXSLF/040A	4.000000	± 30 ppm	± 50 ppm	-20 to +70 C	Series
FOXSLF/040	4.000000	± 30 ppm	± 50 ppm	-20 to +70 C	20pF
FOXSLF/073-20	7.372800	± 30 ppm	± 50 ppm	-20 to +70 C	20pF
FOXSLF/080	8.000000	± 30 ppm	± 50 ppm	-20 to +70 C	Series
FOXSLF/080-20	8.000000	± 30 ppm	± 50 ppm	-20 to +70 C	20pF
FOXSLF/100-20	10.000000	± 30 ppm	± 50 ppm	-20 to +70 C	20pF
FOXSLF/115	11.059200	± 30 ppm	± 50 ppm	-20 to +70 C	Series
FOXSLF/115-20	11.059200	± 30 ppm	± 50 ppm	-20 to +70 C	20pF
FOXSLF/120	12.000000	± 30 ppm	± 50 ppm	-20 to +70 C	Series
FOXSLF/120-20	12.000000	± 30 ppm	± 50 ppm	-20 to +70 C	20pF
FOXSLF/147-20	14.745600	± 30 ppm	± 50 ppm	-20 to +70 C	20pF
FOXSLF/160	16.000000	± 30 ppm	± 50 ppm	-20 to +70 C	Series
FOXSLF/160-20	16.000000	± 30 ppm	± 50 ppm	-20 to +70 C	20pF
FOXSLF/184-20	18.432000	± 30 ppm	± 50 ppm	-20 to +70 C	20pF
FOXSLF/200	20.000000	± 30 ppm	± 50 ppm	-20 to +70 C	Series
FOXSLF/200-20	20.000000	± 30 ppm	± 50 ppm	-20 to +70 C	20pF
FOXSLF/250F-20	25.000000	± 30 ppm	± 50 ppm	-20 to +70 C	20pF

# Mouser Electronics

Authorized Distributor

Click to View Pricing, Inventory, Delivery & Lifecycle Information:

## ABRACON:

[FOXSLF/040](#) [FOXSLF/100-20](#) [FOXSLF/111-20](#) [FOXSLF/115-20](#) [FOXSLF/128-20](#) [FOXSLF/143-20](#) [FOXSLF/184-20](#) [FOXSLF/196-20](#) [FOXSLF/240F-20](#) [FOXSLF/250F-20](#) [FOXSLF/0368-20](#) [FOXSLF/036S](#) [FOXSLF/041](#) [FOXSLF/049-20](#) [FOXSLF/0496-20](#) [FOXSLF/080-20](#) [FOXSLF/081-20](#) [FOXSLF/120-20](#) [FOXSLF/160-20](#) [FOXSLF/200-20](#) [FOXSLF/221-20](#) [FOXSLF/245F-20](#) [FOXSLF/098-20](#) [FOXSLF/147-20](#) [FOXSLF/036864-20](#)